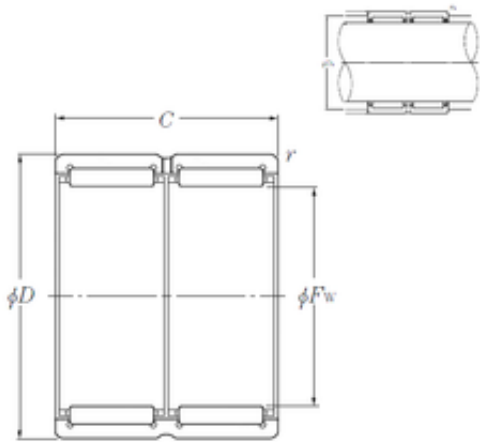


NTN RNA6902R needle roller bearings



Bearing No. RNA6902R

Size	20x28x23 mm
Bore Diameter	20 mm
Outer Diameter	28 mm
Width	23 mm
Fw	20 mm
D	28 mm
C	23 mm
r min.	0,3 mm
Da max.	26 mm
ra max.	0,3 mm
Weight	0,04 Kg
Basic dynamic load rating (C)	17,6 kN
Basic static load rating (C0)	25,3 kN
(Grease) Lubrication Speed	13000 r/min
rs min	0.3 mm
Dw	2.5 mm
Lw	17.8 mm
Lubrication hole on outer ring	Oui/Yes
k	2.5 mm
Radial clearance class	CN
Precision class	P0
Mass	0.04 kg
Cr	17.6 kN
C0r	25.3 kN
Nlim (grease)	13,000 rpm

RNA6902R Bearing 2D drawings and 3D CAD models



LEA?Roller Industry Co.,Ltd

Nlim (oil)	20,000 rpm
Min operating temperature, Tmin	-20 ° C
Max operating temperature, Tmax	120 ° C
Characteristic cage frequency, FTF	0.44 Hz
Characteristic rolling element frequency, BSF	8.89 Hz
Characteristic outer ring frequency, BPF0	7.11 Hz
Characteristic inner ring frequency, BRF1	8.89 Hz
Da max	26 mm
ras max	0.3 mm
Category	Bearings
Inventory	0.0
Manufacturer Name	NTN
Minimum Buy Quantity	N/A
Weight / Kilogram	0.044
Product Group	B04144