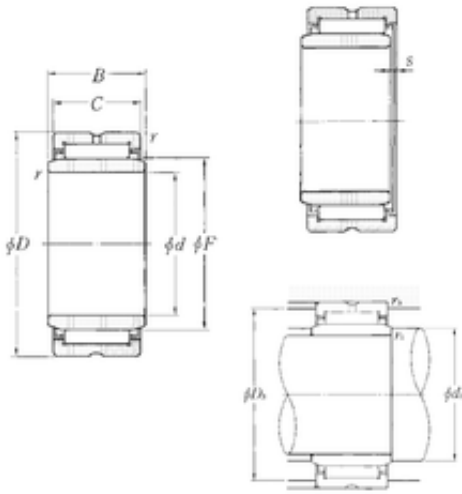


## NTN MR567232+MI-485632 needle roller bearings

Bearing No. MR567232+MI-485632



MR567232+MI-485632 Bearing 2D drawings and 3D CAD models

Size	76.2x114.3x51.05 mm
Bore Diameter	76,2 mm
Outer Diameter	114,3 mm
Width	51,05 mm
d	76,2 mm
F	88,9 mm
D	114,3 mm
B	51,05 mm
C	50,8 mm
r min.	2 mm
s	5,5 mm
da min.	84 mm
Da max.	106,5 mm
ra max.	2 mm
Weight	1,92 Kg
Basic dynamic load rating (C)	154 kN
Basic static load rating (C0)	295 kN
(Grease) Lubrication Speed	3 000 r/min