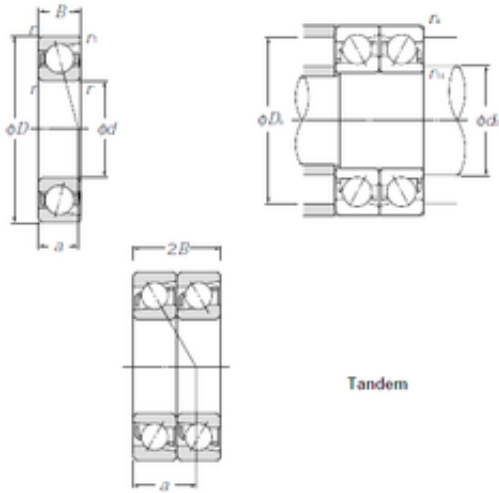


NTN 7202BDT angular contact ball bearings



Bearing No. 7202BDT

Size	15x35x11 mm
Bore Diameter	15 mm
Outer Diameter	35 mm
Width	11 mm
d	15 mm
D	35 mm
B	11 mm
ra1 max.	0,3 mm
Angle (°)	40 °
a	16 mm
r min.	0,6 mm
r1 min.	0,3 mm
2B	22 mm
da min.	19,5 mm
Da max.	30,5 mm
db min	17,5 mm
ra max.	0,6 mm
Db max	32,5 mm
Weight	0,092 Kg
Basic dynamic load rating (C)	13,6 kN
Basic static load rating (C0)	8,7 kN
(Grease) Lubrication Speed	15 000 r/min

7202BDT Bearing 2D drawings and 3D CAD models