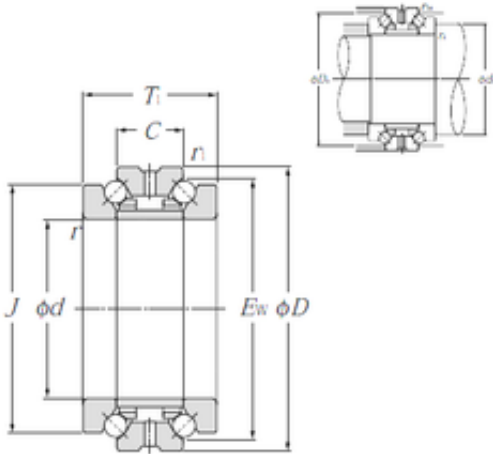


NTN 562008 thrust ball bearings



Bearing No. 562008

Bore Diameter	40 mm
Outer Diameter	61 mm
d	40 mm
D	68 mm
Ew	61 mm
T1	36 mm
C	18 mm
ra1 max.	0,6 mm
r min.	1 mm
r1 min.	0,6 mm
J	58,5 mm
da min.	50 mm
Da max.	63,5 mm
ra max.	1 mm
Weight	0,482 Kg
Basic dynamic load rating (C)	23,8 kN
Basic static load rating (C0)	58,5 kN
(Grease) Lubrication Speed	5 600 r/min

562008 Bearing 2D drawings and 3D CAD models