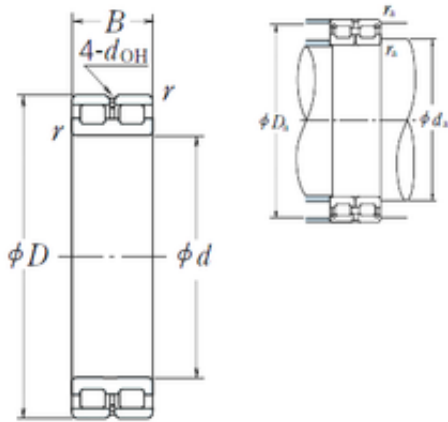


## NSK RSF-4996E4 cylindrical roller bearings



Bearing No. RSF-4996E4

Size	480x650x170 mm
Bore Diameter	480 mm
Outer Diameter	650 mm
Width	170 mm
d	480 mm
D	650 mm
B	170 mm
C	170 mm
r min.	5 mm
da min.	500 mm
Da max.	630 mm
ra max.	4 mm
Weight	167 Kg
Basic dynamic load rating (C)	3200 kN
Basic static load rating (C0)	8500 kN
(Grease) Lubrication Speed	180 r/min
hidYobi	RSF-4996E4
LangID	1
D_	650
B_	170
hidTable	ecat_NSCLDRS
Oil rpm	180
mass	167
GRS rpm	360
ra	4
da_min	500

RSF-4996E4 Bearing 2D drawings and 3D CAD models



## LEA?Roller Industry Co.,Ltd

C0	8500
DE_	603
Prod_Type3	CRB_FRFS_OT_FREE
DA_	40
Z_	44
yobi	RSF-4996E4
da_max	630
SDM_	563
r	5
KBRG	4210
disp	9
DI_	523
doh	12