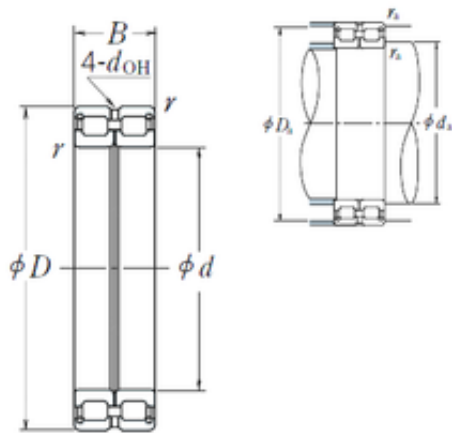


NSK RS-4876E4 cylindrical roller bearings



Bearing No. RS-4876E4

RS-4876E4 Bearing 2D drawings and 3D CAD models

Size	380x480x100 mm
Bore Diameter	380 mm
Outer Diameter	480 mm
Width	100 mm
d	380 mm
D	480 mm
B	100 mm
C	100 mm
r min.	2,1 mm
da min.	391 mm
Da max.	469 mm
ra max.	2 mm
Weight	45,5 Kg
Basic dynamic load rating (C)	1260 kN
Basic static load rating (C0)	3600 kN
(Grease) Lubrication Speed	240 r/min
hidYobi	RS-4876E4
LangID	1
D_	480
B_	100
hidTable	ecat_NSCLDRS
Oil rpm	240
mass	45.5
GRS rpm	500
ra	2
da_min	391



LEA?Roller Industry Co.,Ltd

C0	3600
DE_	450.6
Prod_Type3	CRB_FRFS_OT_FIX
DA_	22
Z_	61
yobi	RS-4876E4
da_max	469
SDM_	428.6
r	2.1
KBRG	4220
disp	6
DI_	406.6
doh	8