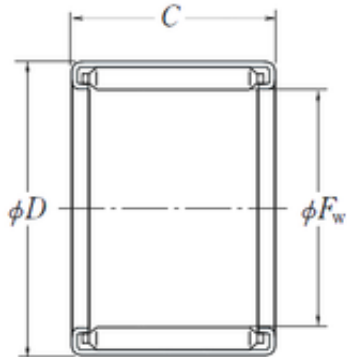


NSK F-3026 needle roller bearings



F-3026 Bearing 2D drawings and 3D CAD models

Bearing No. F-3026

Size	30x37x26 mm
Bore Diameter	30 mm
Outer Diameter	37 mm
Width	26 mm
Fw	30 mm
D	37 mm
C	26 mm
Weight	0,061 Kg
Basic dynamic load rating (C)	37 kN
(Grease) Lubrication Speed	2400 r/min
NB-DI	0
NA-DEX	35.407
hidYobi	F-3026
LangID	1
D_	37
NC-SLR	24.05
B_	26.5
n_yobi	FIR-253026
hidTable	ecat_NSDCNR
mass_k	61
d1	25
GRS rpm	2400
ra	0.3
NC-SLR1	0
C0	86.037
C1	26



LEA?Roller Industry Co.,Ltd

Prod_Type3	NRB_DC_F-MF_FC_OT
da	27
d	25
NC-RAC	0
Pmax	37000
N-SDM	0
yobi	F-3026
C1_C2	2.5
ND-Z	0
OIL rpm	3800
NC-DA	2.697
N-KBRG	8200
NC-KMS	38
B1	26.5