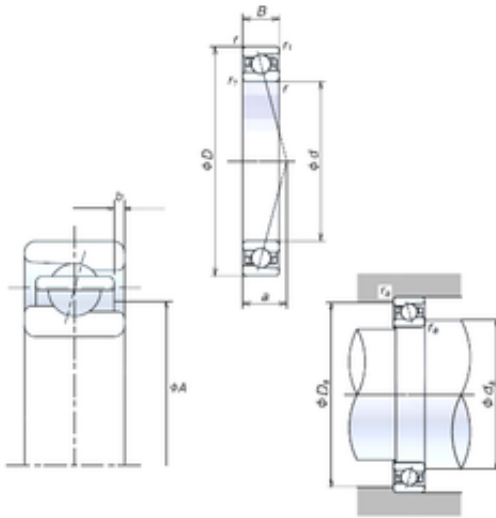


## NSK 40BNR10H angular contact ball bearings

Bearing No. 40BNR10H



40BNR10H Bearing 2D drawings and 3D CAD models

Size	40x68x15 mm
Bore Diameter	40 mm
Outer Diameter	68 mm
Width	15 mm
d	40 mm
D	68 mm
B	15 mm
C	15 mm
Angle ( ° )	18 °
a	16,2 mm
b	1,5 mm
r min.	1 mm
r1 min.	0,6 mm
A	50 mm
da min.	46 mm
Da max.	62 mm
ra max.	1 mm
Weight	0,193 Kg
Basic dynamic load rating (C)	10,6 kN
Basic static load rating (C0)	7,95 kN
(Grease) Lubrication Speed	33400 r/min