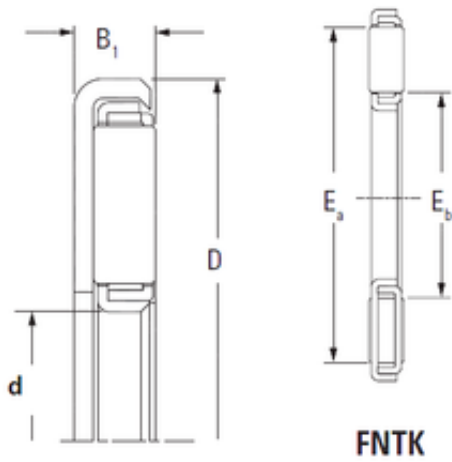


KOYO FNTK-2037 needle roller bearings

Bearing No. FNTK-2037



Size	20x37x2.85 mm
Bore Diameter	20 mm
Outer Diameter	37 mm
Width	2,85 mm
d	20 mm
D	37 mm
B1	2,85 mm
Ea	34 mm
Eb	22 mm
Weight	0,012 Kg
Basic dynamic load rating (C)	13,8 kN
Basic static load rating (C0)	50,3 kN

FNTK-2037 Bearing 2D drawings and 3D CAD models