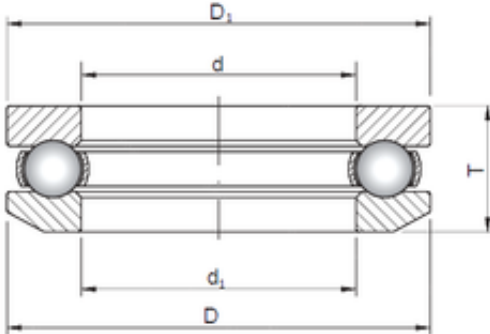




ISO 53326 thrust ball bearings



Bearing No. 53326

Bore Diameter	130 mm
Outer Diameter	220 mm
d	130 mm
d1	134 mm
D	220 mm
D1	225 mm
T	80,3 mm

53326 Bearing 2D drawings and 3D CAD models