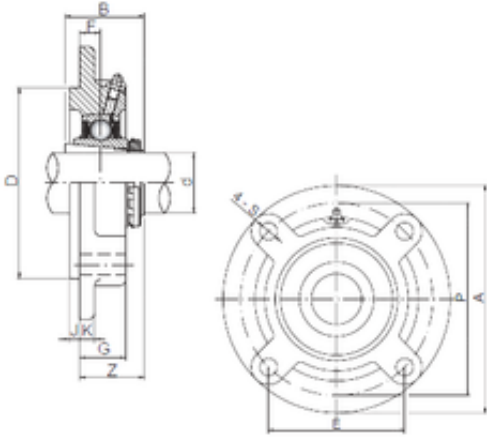




ISO UKFC212 bearing units



Bearing No. UKFC212

Bore Diameter	55 mm
d	55 mm
P	160 mm
Z	48 mm
A	195 mm
B	62 mm
D	135 mm
E	113,1 mm
F	17 mm
G	36 mm
J	12 mm
K	15 mm
S	19 mm
Bolt (G)	M16

UKFC212 Bearing 2D drawings and 3D CAD models